



Metrack 200 CE36095

Century's Metrack 200 is best suited for metal assets in outdoor heavy environments. It offers a long read range and durable performance. Metrack 200 can be used for the management of various medium-sizes metal assets.

FEATURES

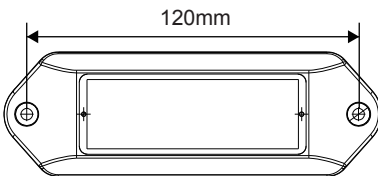
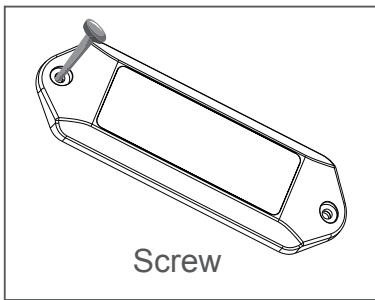
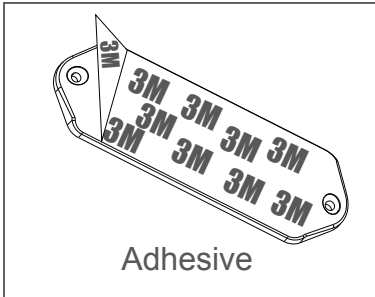
- ▲ **DURABLE AND ENVIRONMENTAL RESISTANCE**
IP 68, water resistant and UV-proof
- ▲ **SUPERIOR PERFORMANCE ON METAL**
Excellent read range: up to 12m
- ▲ **EXTENDED USER MEMORY TO STORE DATA**
User 2kbits, EPC 448bits
- ▲ **VISUALIZED INFORMATION ON THE TAG SURFACE**
Customized printing available
- ▲ **TWO OPTIONS FOR ATTACHMENT**
Adhesive and rivet hole mounting

APPLICATION

Applicable for outdoor metal asset tracking and maintenance, such as heavy equipment, containers, power transformers, etc.



Attachment



SPECIFICATIONS

Name	Metrack 200
Code No.	CE36095
PHYSICAL	
Dimension	136×45×11mm/ 5.35" ×1.77"×0.43"
Encasement	PC
Color	Grey or customized
Quality Assurance	5 Years
Printing	Customized printing
Attachment	Adhesive or Screw
ELECTRICAL	
Protocol	ISO/IEC 18000-6C & EPC global Class 1 Gen 2
Operating Frequency	902~928Mhz
Integrated Circuit [IC]	NXP Ucode 7XM+
EPC Memory	448bits
User Memory	2Kbits
Unique TID	48bits
Access Password	32Bits
Kill Password	32Bits
RFID Read Range (Reader EIRP 2W)	Fixed: Up to 12m/ 39ft HHT: Up to 6m/ 20ft
Expected Read Cycles	100000 cycles
Data Retention	20 years
PACKING	
Packing Format	Carton
Weight Per Piece	57.2g
Quantity Per Roll	220pcs
Box Dimension	35×28×19mm/ 1.38"×1.10"×0.75"
Weight Per Box	13kg
Quality Assurance	100% performance tested
ENVIRONMENTAL	
Operating Temperature	-40 to +80 C / -4 to +176 F
Operating Humidity	30%-70%
Storage Temperature	-20 to +60 C / -4 to +140 F
Storage Humidity	30%-70%
IP Rating	IP68
Product Guarantee	2 years

READ RANGE

